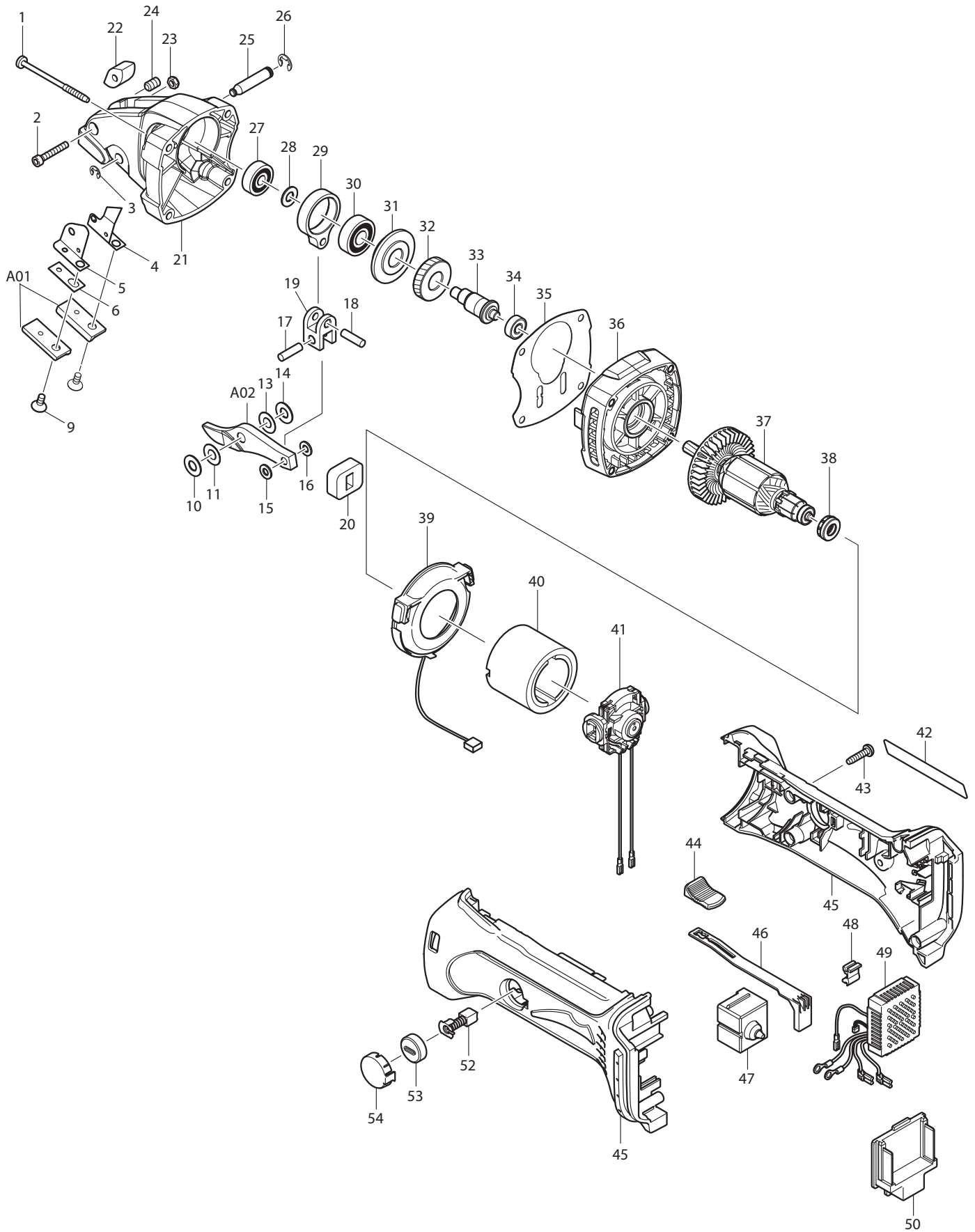




09 - 2011  
BJS161 / BJS161Z / BJS161F  
18V Straight Shear 16GA



Item No	Type	Ref	Part No	Description	Qty	Unit
1			266091-3	TAPPING SCREW 4X50	4	PC.
2			922147-9	HEX. SOCKET HEAD BOLT M4X25	1	PC.
3			961011-9	STOP RING E-4	1	PC.
4			343480-0	SLIP PLATE L	1	PC.
5			346131-4	SLIP PLATE R	1	PC.
6			343481-8	SPACER	1	PC.
9			251951-2	HEX. SOCKET HEAD BOLT M5X10	2	PC.
10			261065-9	TEFLON WASHER 7	1	PC.
11			253338-4	THIN WASHER 7	1	PC.
13			253338-4	THIN WASHER 7	1	PC.
14			261065-9	TEFLON WASHER 7	1	PC.
15			267010-2	FLAT WASHER 5	1	PC.
16			267010-2	FLAT WASHER 5	1	PC.
17			256155-1	PIN 5	1	PC.
18			256155-1	PIN 5	1	PC.
19			331329-6	LINK	1	PC.
20			423118-4	DUST COVER	1	PC.
21			140130-6	CRANK HOUSING COMPLETE	1	PC.
22			325727-4	BLOCK	1	PC.
23			252083-8	HEX. LOCK NUT M4-7	1	PC.
24			266085-8	H.S.SET SCREW(FLAT POINT)M6X10	1	PC.
25			256733-7	PIN 7	1	PC.
26			961012-7	STOP RING E-6	1	PC.
27			210023-2	BALL BEARING 627DDW	1	PC.
28			253133-2	FLAT WASHER 7	1	PC.
29			331273-7	ROD	1	PC.
30			210067-2	BALL BEARING 6000ZZ	1	PC.
31			325716-9	SEALING SCREW	1	PC.
32			227716-4	HELICAL GEAR 34	1	PC.
33			325715-1	CRANK SHAFT	1	PC.
34			210033-9	BALL BEARING 696ZZ	1	PC.
35			442150-9	GASKET	1	PC.
36			140131-4	GEAR HOUSING COMPLETE	1	PC.
37			619249-7	ARMATURE	1	PC.
38			421977-0	RUBBER RING 13	1	PC.
39			631714-6	LED CIRCUIT	1	PC.
40	1		638376-1	YOKE UNIT	1	PC.
40	2		638627-2	YOKE UNIT	1	PC.
41			638448-2	ENDBELL COMPLETE	1	PC.
42			866930-3	BJS161 NAME PLATE	1	PC.
43			265995-6	TAPPING SCREW 4X18	5	PC.
44			419566-3	SWITCH KNOB	1	PC.
45			188736-2	HOUSING SET	1	SET
		INC.	263005-3	RUBBER PIN 6	2	PC.
46			419519-2	SWITCH LEVER	1	PC.
47			650579-7	SWITCH 1246.3223, SINGLE	1	PC.
48			424026-2	CUSHION	1	PC.
49	1		631713-8	CONTROLLER	1	PC.
	2		620072-5	CONTROLLER	1	PC.
50			643812-4	TERMINAL	1	PC.
52	1		191971-3	CARBON BRUSH CB-430, 2PCS/SET, W/O ORIGIN - N/L/A	1	SET
	2		195018-5	CARBON BRUSH CB-430, 2PCS/SET, W/ ORIGIN	1	SET
53			643929-3	BRUSH HOLDER CAP	2	PC.
54			419518-4	HOLDER CAP COVER	2	PC.
100			652045-0	+PAN HEAD SCREW M3.5X5(F/SWITCH)	2	PC.
A01			792533-6	SIDE BLADE SET	1	SET
A02			792534-4	CENTER BLADE	1	PC.

Item No	Type	Ref	Part No	Description	Qty	Unit
A03			762013-6	THICKNESS GAUGE	1	PC.
A04			783201-2	HEX. WRENCH 3	1	PC.
A05	1		DC18RA	CHARGER DC18RA	1	PC.
	2		DC18RC	CHARGER DC18RC	1	PC.
			DC18RAKIT	CHARGER+BATTERY(DC18RA+BL1830)	1	SET
			DC18SE	18V AUTOMOTIVE CHARGER DC18SE	1	PC.
			DC18SD	CHARGER DC18SD	1	PC.
A06			194205-3	18V LI-ION BATTERY BL1830	1	PC.
			194230-4	18V LI-ION BATTERY BL1830 2/PK	1	PK
			194288-3	18V LI-ION BATTERY BL1830 10/PK	1	PK
A07			450128-8	BATTERY COVER	1	PC.
A08	1		824899-7	PLASTIC CARRYING CASE	1	PC.
		INC.	163455-1	LATCH	2	PC.
	2		141478-9	PLASTIC CASE COMPLETE	1	PC.
		INC.	163455-1	LATCH	2	PC.